

PRODUCT INFORMATION PACKET



Model No: LM15569
Catalog No: LM15569
General Purpose Motor, 75 & 75 HP, 3 Ph, 60 & 50 Hz, 230/460 & 380-415 V, 3600 & 3000 RPM,
364TSC Frame, DP



Regal and Leeson are trademarks of Regal Rexnord Corporation or one of its affiliated companies.
©2023 Regal Rexnord Corporation, All Rights Reserved. MC017097E



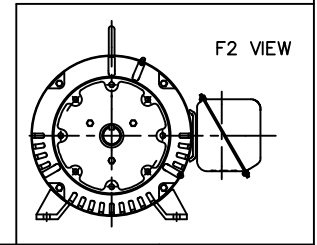
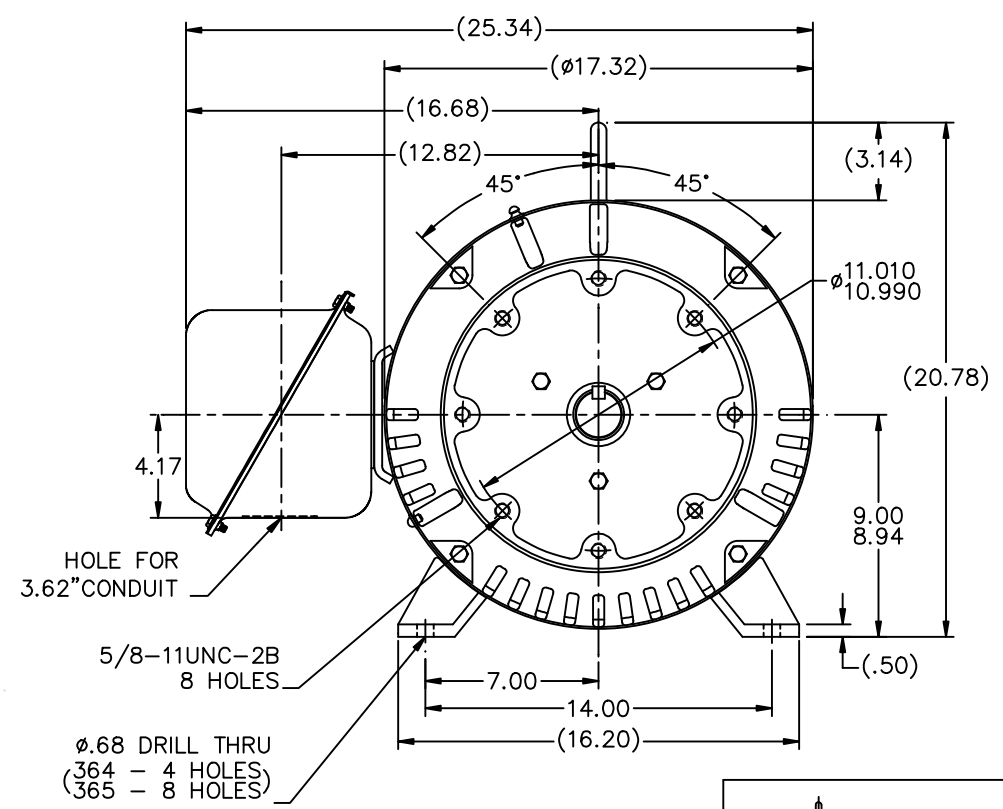
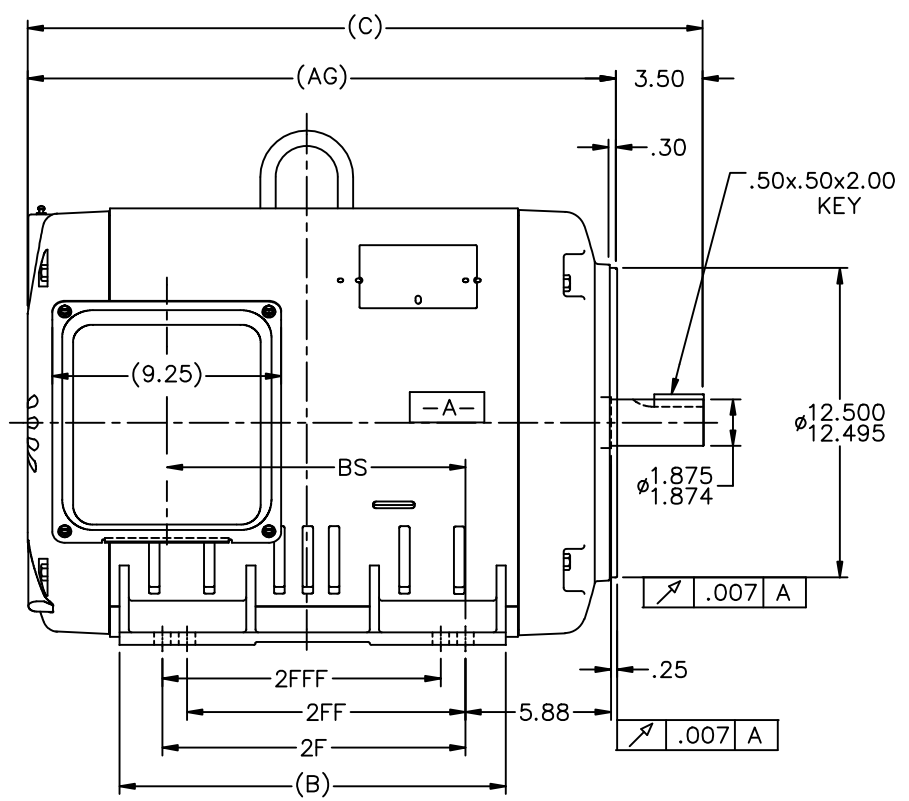


Nameplate Specifications

Phase	3	Output HP	75 & 75 Hp
Output KW	56.0 & 56.0 kW	Voltage	230/460 & 380-415 V
Speed	3560 & 2965 rpm	Service Factor	1.25 & 1.25
Frame	364TSC	Enclosure	Drip Proof
Thermal Protection	No Protection	Efficiency	95 & 93.6 %
Ambient Temperature	40 °C	Frequency	60 & 50 Hz
Current	164/82 & 98-92 A	Power Factor	91.5
Duty	Continuous	Insulation Class	F
Design Code	B	KVA Code	G
Drive End Bearing Size	313	Opp Drive End Bearing Size	311
UL	Recognized	CSA	Y
CE	Y	IP Code	22
Number of Speeds	1		

Technical Specifications

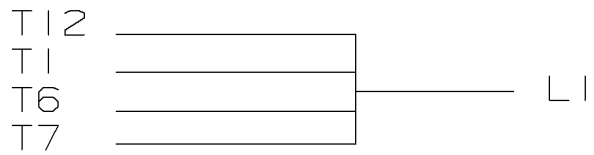
Electrical Type	Squirrel Cage Induction Run	Starting Method	Wye Start Delta Run
Poles	2	Rotation	Reversible
Resistance Main	.0655 Ohms	Mounting	Rigid Base
Motor Orientation	Horizontal	Drive End Bearing	Ball
Opp Drive End Bearing	Ball	Frame Material	Rolled Steel
Shaft Type	TS	Overall Length	26.27 in
Frame Length	15.48 in	Shaft Diameter	1.875 in
Shaft Extension	3.75 in	Assembly/Box Mounting	F1/F2 CAPABLE
Connection Drawing	A-EE7308AA-LN	Outline Drawing	XH2D1SC2-1548



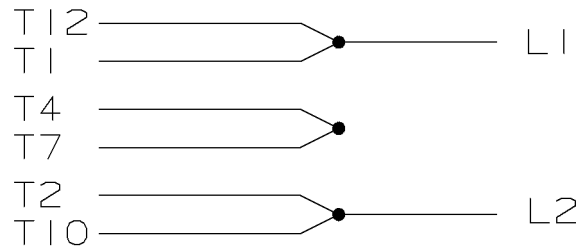
NOTES:
 1. CONDUIT BOX CAN BE ROTATED IN 90° STEPS.
 2. NAMEPLATES TO BE READ FROM CONDUIT BOX SIDE OF MOTOR.

DASH	FRAME	C	B	2F	2FF	2FFF	BS	AG
1548	364TS	26.27	14.61	11.25	----	----	11.02	22.77
1648	365TS	27.27	15.61	12.25	11.25	11.25	12.02	23.77

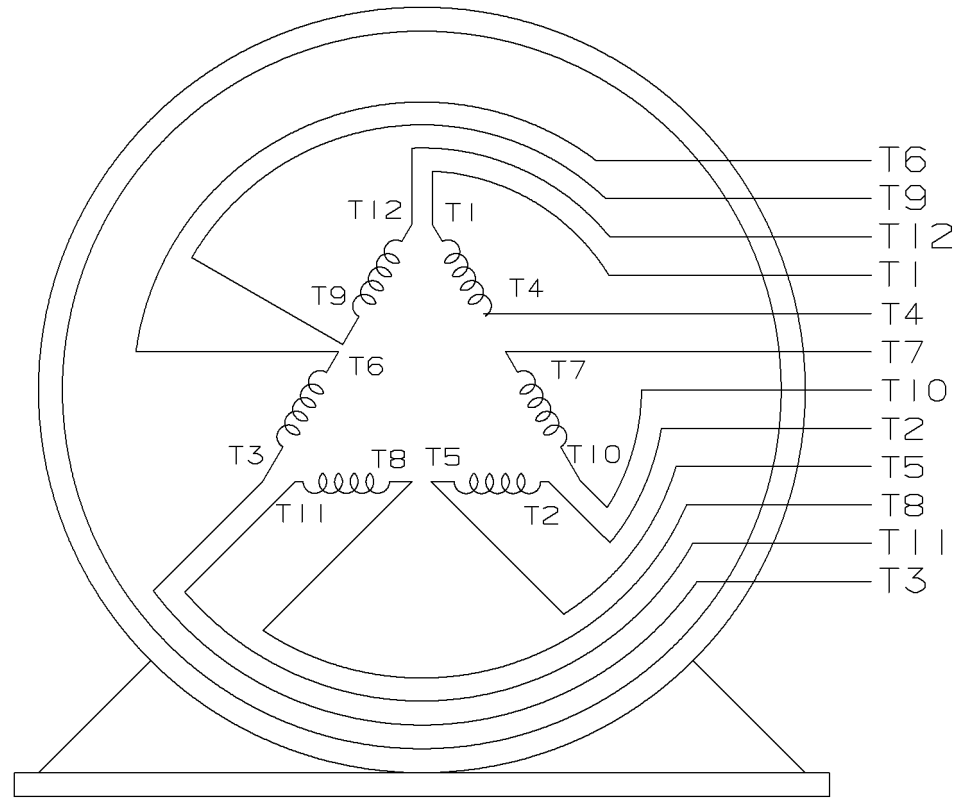
		TOLERANCES UNLESS SPECIFIED		Lincoln MOTOR		DRAWN DRS 09-19-2001	
		DEC.	INCHES			CHK	ML 09-19-2001
		.X	±.1			APPD	HNH 09-24-2001
		.XX	±.03	TITLE OUTLINE		SCALE	1=5
2	REVISED "C" AND "AG" DIM FOR BAFFLES MU47572	CTO 07-23-2003	HNH .XXX	±.005	360TCS ODP UE		REF
1	NEW DRAWING	MU38712	DRS 09-24-2001	HNH .XXXX	±.0005	MAT'L	FMF
NO.		REVISION		BY & DATE		PREV	
		THIS DRAWING IN DESIGN AND DETAIL IS OUR PROPERTY AND MUST NOT BE USED EXCEPT IN CONNECTION WITH OUR WORK ALL RIGHTS OF DESIGN AND INVENTION ARE RESERVED THIS IS AN ELECTRONICALLY GENERATED DOCUMENT - DO NOT SCALE THIS PRINT		RFP	ANG ±7'30"	FINISH	
				CAD FILE xh2d1sc2		SIZE	DRAWING NO. PAGE OF REV.
				DIST BY		B	XH2D1SC2 2



LOW VOLTAGE



HIGH VOLTAGE



VIEW OF TERMINAL END

					UNLESS OTHERWISE SPECIFIED DIMENSIONS ARE IN INCHES TOL. ON XX±.02 XXX±.005 XXXX±.0005 ANGLES± 7'30"		
2	08-09-1999	RE-ISSUE, ADDED '-' TO PART NUMBER	BLR		MAX. SURFACE ROUGHNESS UNLESS OTHERWISE NOTED		DRAWN BY TRB 07-16-1999
1	06-18-1999	NEW DRAWING	TRB	FINISH		CHKD BY ML 06-18-1999	
				MATERIAL		APPD BY GK 06-18-1999	
REV	DATE	CHANGE	NAME	PART NAME 3 PHASE CONNECTION DIAGRAM 2/1 DELTA - 12 LEADS			DRWG NO A- EE7308AA-LN

PURCHASED

CADD FILE NO.

EE7308AALN

ERROR: undefined
OFFENDING COMMAND: Pscrip

STACK:



CERTIFICATION DATA SHEET

**2100 WASHINGTON ST.
GRAFTON, WI
PH. 262-277-8810**

CONN. DIAGRAM: A-EE7308AA-LN

OUTLINE: XH2D1SC2-1548

CATALOG # : LM15569

WINDING #: L3642001 7

MOUNTING: F1/F2 CAPABLE

TYPICAL MOTOR PERFORMANCE DATA

HP	kW	SYNC. RPM	F.L. RPM	FRAME	ENCLOSURE	KVA CODE	DESIGN
75&75	56.0&56.0	3600	3560&2965	364TSC	DP	G	B

PH	Hz	VOLTS	AMPS	START TYPE	DUTY	INSL	S.F.	AMB°C
3	60/50	230/460&380-415	164/82&98-92	WYE START DELTA RUN	CONTINUOUS	F4	1.25/1.25	40

FULL LOAD EFF:	95&93.6	3/4 LOAD EFF:	95	1/2 LOAD EFF:	95	GTD. EFF		ELEC. TYPE	
FULL LOAD PF:	91.5&89.5	3/4 LOAD PF:	91	1/2 LOAD PF:	87.5	94.1		SQ CAGE IND RUN	

F.L. TORQUE	LOCKED ROTOR AMPS	L.R. TORQUE	B.D. TORQUE	F.L. RISE°C
110 LB-FT	1084 / 542	190 LB-FT 173 %	275 LB-FT 250 %	-

SOUND PRESSURE @ 3 FT.	SOUND POWER	ROTOR WK^2	MAX. WK^2	SAFE STALL TIME	STARTS / HOUR	APPROX. MOTOR WGT
82 dBA	92 dBA	8 LB-FT^2	- LB-FT^2	20 SEC.	-	- LBS.

***** SUPPLEMENTAL INFORMATION *****

DE BRACKET TYPE	ODE BRACKET TYPE	MOUNT TYPE	ORIENTATION	SEVERE DUTY	HAZARDOUS LOCATION	DRIP COVER	SCREENS	PAINT
C-FACE	STANDARD	RIGID	HORIZONTAL	FALSE	NONE	FALSE	NONE	GRAY - LINCOLN

BEARINGS		GREASE	SHAFT TYPE	SPECIAL DE	SPECIAL ODE	SHAFT MATERIAL	FRAME MATERIAL
DE	ODE						
BALL	BALL	POLYREX EM	TS	NONE	NONE	1045 HOT ROLLED (C-204)	ROLLED STEEL
313	311						

THERMO-PROTECTORS				THERMISTORS	CONTROL	SPACE HEATERS
THERMOSTATS	PROTECTORS	WDG RTDs	BRG RTDs			
NONE	NOT	NONE	NONE	NONE	FALSE	NONE VOLTS

*
N
O
T
E
S
*

INVERTER TORQUE: NONE
INV. HP SPEED RANGE: NONE
ENCODER: NONE NONE NONE NONE NONE PPR
BRAKE: NONE NONE NONE P/N NONE NONE NONE FT-LB V NONE Hz

Data Sheet

Date: 1/18/2018

LM15569



Data @ **460 V**

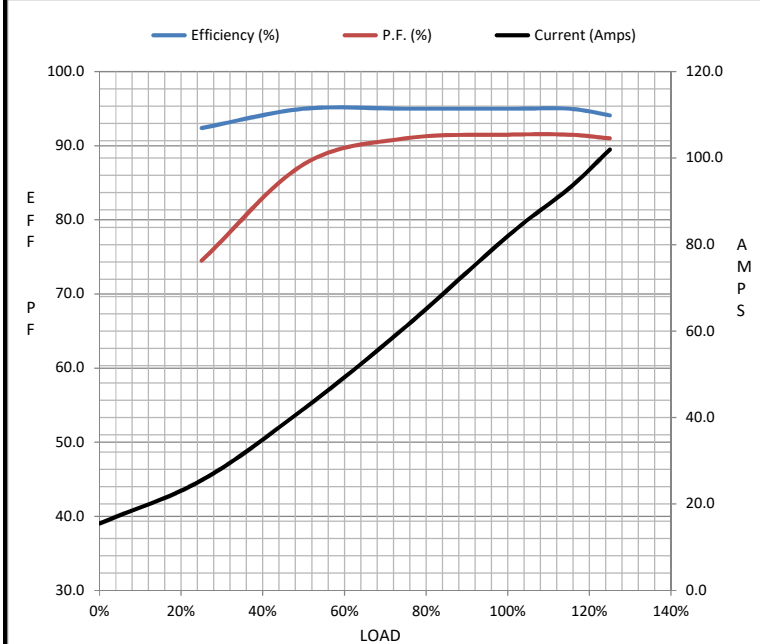
Motor Load Data

Load	0%	25%	50%	75%	100%	115%	125%	LR
Current (Amps)	15.5	25.5	42.0	61.0	82.0	93.0	102	542
Torque (ft-lb)	0.00	27.5	55.0	82.5	110	127	138	190
RPM	3600	3595	3580	3570	3560	3,555	3550	0
Efficiency (%)		92.4	95.0	95.0	95.0	95.0	94.1	
P.F. (%)	7.5	74.5	87.5	91.0	91.5	91.5	91.0	30.0

Motor Speed Data

	LR	Pull-Up	BD	Rated	Idle
Speed (RPM)	0	1800	3400	3560	3600
Current (Amps)	542	510	365	82.0	15.5
Torque (ft-lb)	190	170	275	110	0.00

Information Block				
HP	75.0			
Sync. RPM	3600			
Frame	364			
Enclosure	DP			
Construction	TDR			
Voltage	230/460 V			
Frequency	60 Hz			
Design	A			
LR Code letter	G			
Service Factor	1.15			
Temp Rise @ FL	30 °C			
Duty	CONT			
Ambient	40 °C			
Elevation	1,000 feet			
Rotor/Shaft wk ²	8.0 Lb-Ft ²			
Ref Wdg	L3642001 NONE			
Sound Pressure @ 1M	82 dBA			
VFD Rating	NONE			
Outline Dwg	XH2D1SC2-1548			
Conn. Diag	A-EE7308AA-LN			
Additional Specifications:				
0				
0				
EQUIV CKT (OHMS / PHASE)				
R1	R2	X1	X2	Xm
0.0410	0.0260	0.3550	0.3140	16.8210



Speed - Torque Curve

